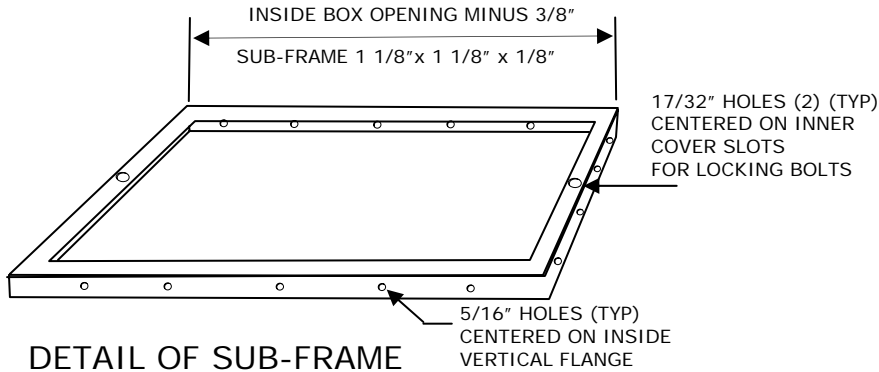
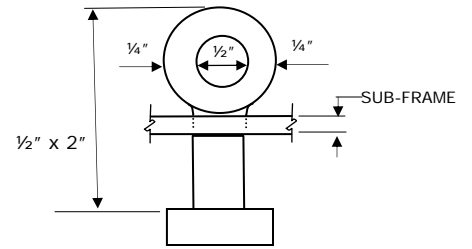


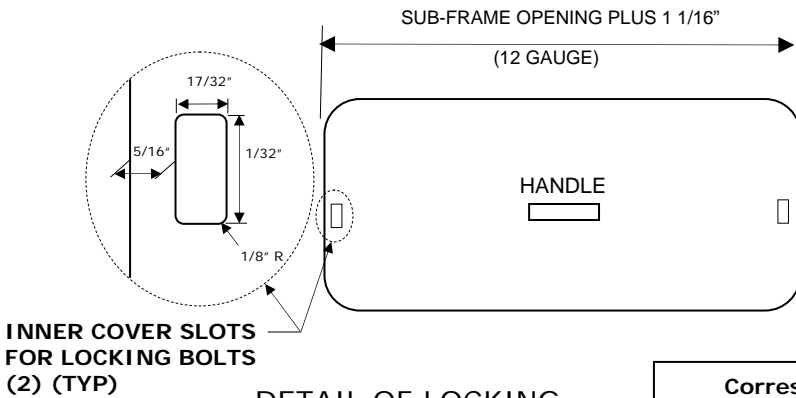
**SECTION
UNDERGROUND JUNCTION BOX LOCK**



DETAIL OF SUB-FRAME



DETAIL OF LOCKING BOLT



INNER COVER SLOTS FOR LOCKING BOLTS (2) (TYP)

DETAIL OF LOCKING INNER COVER

NOTES:

1. MATERIALS ARE SERIES 300 STAINLESS STEEL.
2. PADLOCKS TO BE SPECIFIED BASED ON LEVEL OF SECURITY REQUIRED.
3. CAULKING MATERIAL BETWEEN SUB-FRAME AND EXISTING BOX SURFACE SHALL CONFORM TO STANDARD SPECIFICATIONS.
4. INSTALLATION TO COMPLY WITH MANUFACTURER'S REQUIREMENTS.
5. THIS DRAWING IS NOT TO SCALE.

Corresponding Manufacturers Catalog Number and Size				
Quazite Corporation	Christy Concrete Products	SEWERLOCK Underground Junction Box Lock	Length (A)	Width (B)
-	N-9	UJBL1017	17	10
PG1324	N-30	UJBL1324	24	13
PG1730	N-36	UJBL1730	30	17
PG2436	N-40	UJBL2436	36	24
PG3048	N-48	UJBL3048	48	30
		UJBLVAULT	42-144	42-72

UNDERGROUND JUNCTION BOX LOCK (PAT)

SEWERLOCK.COM

DATE	3/01/2013	DRAWING NO. UJBL- 3001
SHEET NO.	1 OF 1	