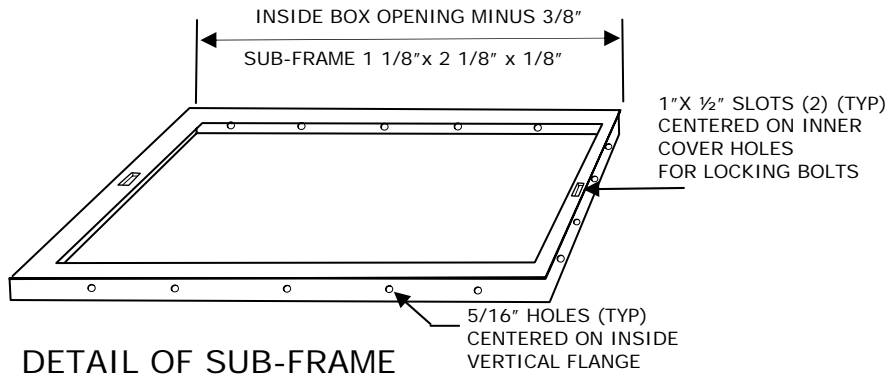
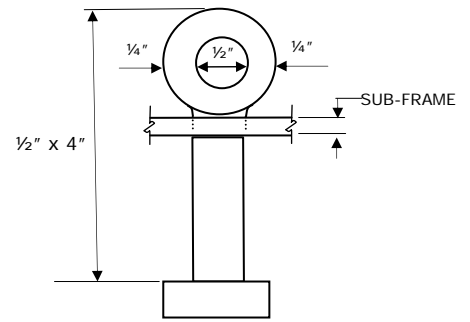


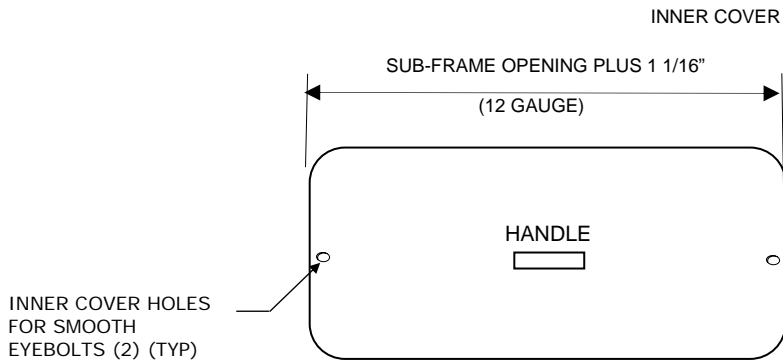
**SECTION  
STORMSEWERLOCK**



**DETAIL OF SUB-FRAME**



**DETAIL OF SMOOTH EYEBOLT**



**DETAIL OF LOCKING  
INNER COVER**

**NOTES:**

1. MATERIALS ARE SERIES 300 STAINLESS STEEL.
2. PADLOCKS TO BE SPECIFIED FOR LEVEL OF SECURITY REQUIRED.
3. CAULKING MATERIAL BETWEEN SUB-FRAME AND EXISTING BOX SURFACE SHALL CONFORM TO STANDARD SPECIFICATIONS.
4. INSTALLATION TO COMPLY WITH MANUFACTURER'S REQUIREMENTS.
5. THIS DRAWING IS NOT TO SCALE.

**STORMSEWERLOCK (PAT)**

**SEWERLOCK.COM**

DATE

11/01/2013

DRAWING NO.

SHEET NO.

1 OF 1

**SSL- 3002**